

Bracket Range

CONVENTIONAL BRACKET WITH TOP SCREW HOLES 25mm APART (Suitable for studs)

Finishes Available



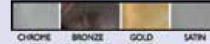
Other standard colours: Gloss Black, Matt Black & Raw. Custom Colours Available

LOAD TESTED TO COMPLY WITH PART OF AUSTRALIAN STANDARD AS1428.1-2001

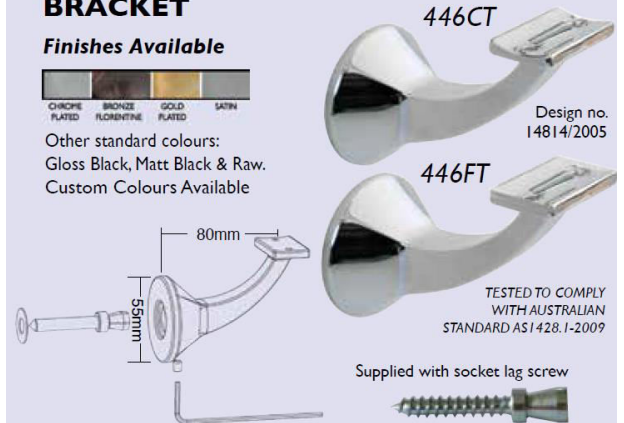


DELUXE CONCEALED BRACKET

Finishes Available



Other standard colours: Gloss Black, Matt Black & Raw. Custom Colours Available



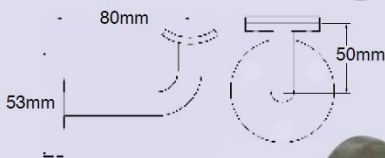
Design no. 14814/2005

TESTED TO COMPLY WITH AUSTRALIAN STANDARD AS1428.1-2009

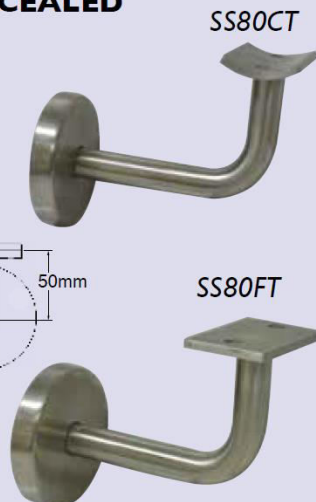
Supplied with socket lag screw

EXTENDED CONCEALED STAIR RAIL BRACKET with cover plate

304 STAINLESS STEEL
Brushed Finish



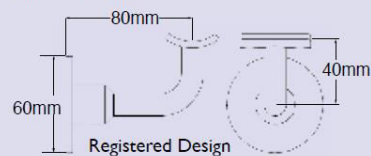
TESTED TO COMPLY WITH AUSTRALIAN STANDARD AS1428.1-2009



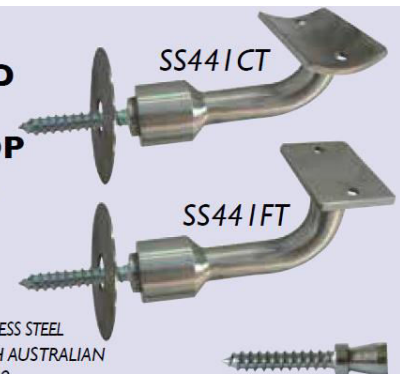
DELUXE CONCEALED FLAT & CURVED TOP STAIR RAIL BRACKET

304 STAINLESS STEEL
Brushed Finish

ALSO AVAILABLE IN 316 STAINLESS STEEL
TESTED TO COMPLY WITH AUSTRALIAN STANDARD AS1428.1-2009



Supplied with socket lag screw and 60mm washer



DELUXE CONCEALED STRAIGHT STAIR RAIL BRACKET

304 STAINLESS STEEL
Brushed Finish

Supplied with socket lag screw and 60mm washer



LOAD TESTED TO COMPLY WITH PART OF AUSTRALIAN STANDARD AS1428.1-2009



SS4455 120CT & FT

SQUARE BASE 60mm x 60mm CAT. NO. BASE SQ 60 x 60

304 STAINLESS STEEL
BRUSHED FINISH

ALSO AVAILABLE ROUND WASHERS
Outside Diameter 60mm, 40mm & 25mm
304 STAINLESS STEEL
BRUSHED FINISH

WILL SUIT THE FOLLOWING PRODUCTS:
SS441, SS4455, SS4455-120FT & SS4455-120CT

CAT. NO. SSBASE 60

CAT. NO. SSBASE 40

CAT. NO. SSBASE 25

