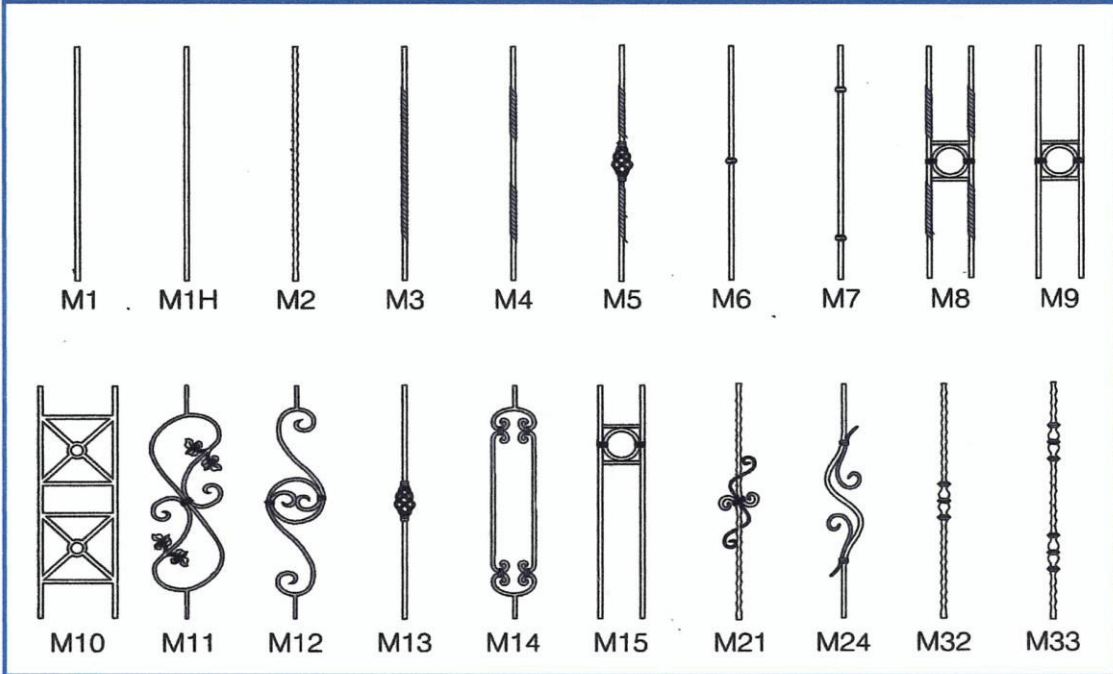
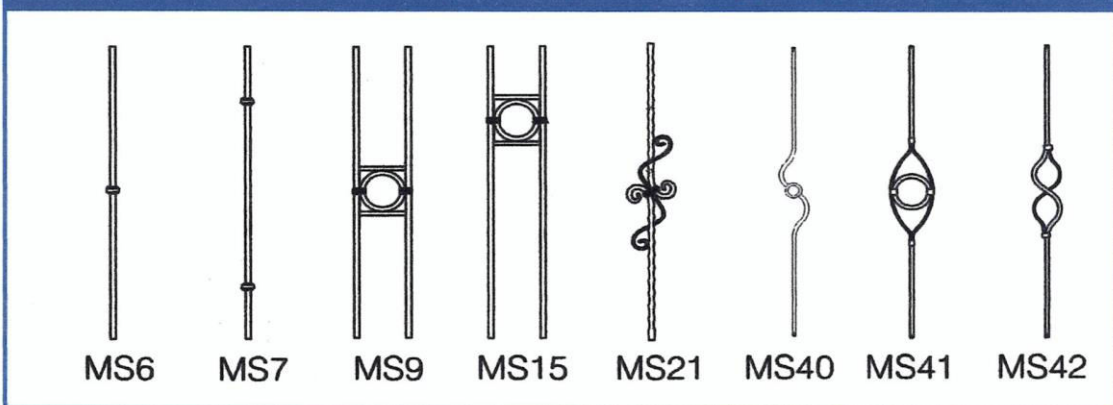


**Wrought Iron Range**



**Mild/stainless Range**



**Stainless Range**

